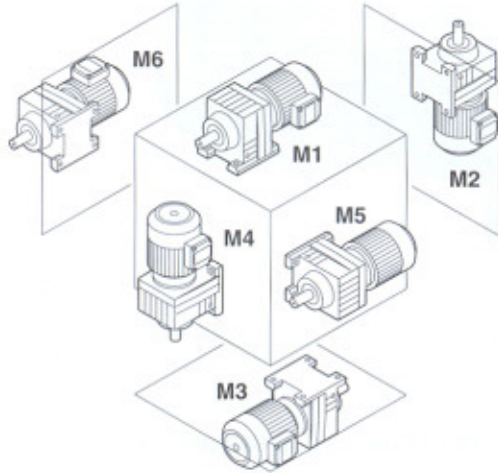


### 5 Mounting Positions and Important Order Information

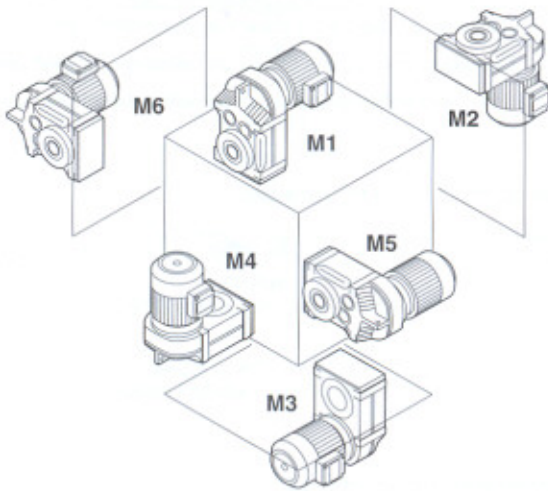
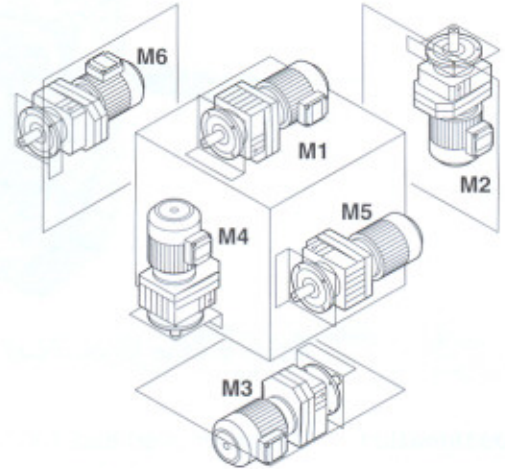
#### 5.1 General information on mounting positions

##### Mounting position designation

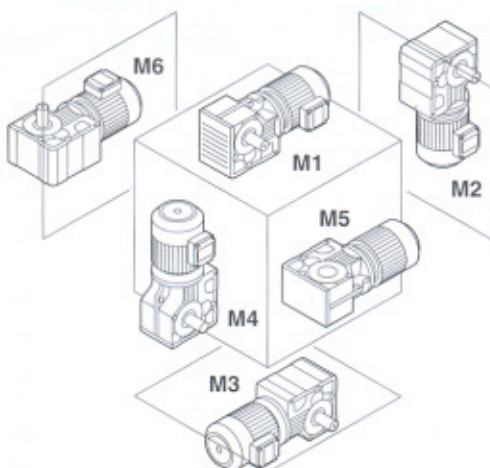
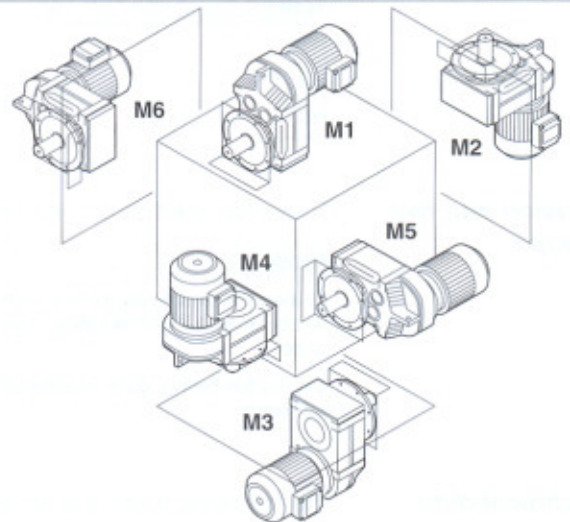
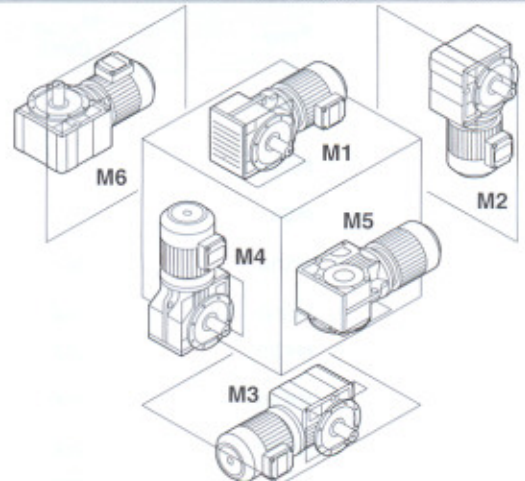
SEW-EURODRIVE differentiates between six mounting positions M1 ... M6 for gear units and gearmotors. The following figure shows the position of the gear unit in mounting positions M1 ... M6.



R..



F..

K..  
W..  
S..

03203AXX

Figure 9: Depiction of mounting positions M1 ... M6